

WILD HORSES

FOUR WHEEL DRIVE

Phone (209) 400-7200 Fax (209) 943-7923 www.wildhorses4x4.com

Windshield Wiper Kit

#5298/5301 Date 12/08/17 rev.1

Parts

2 wiper motors
1 wiper switch

Hardware

2 ea. self tapping screws
2 ea. motor nuts and washers

Please read entire instruction sheet before you get started based on how you proceed some steps may be out of sequential order. All wiper motors are set at 110 degrees on the degree wheel. If you are installing this kit on a 66-68 windshield frame you must change the degree setting to 80 degrees on the passenger side wiper motor. (only the passenger side needs to be set to the 80 degree setting)

Instructions for changing degree.

Instructions for changing degree. See diagram to the right.

1. Remove the four (4) screws from the back plate of the wiper motor.
2. Remove the U-clip from the actuator arm.
3. Remove the actuator arm from the degree wheel.
4. Remove the two phillips screws holding the degree wheel.
5. Move the degree wheel and place the arm in the 80 degree position.
6. Install phillips screws, actuator arm, u-clip and cover.

Mounting wiper motors

1. Remove the old wiper setup.
2. Remove the old vacuum hose 66-68, or wiper wiring 69-77, from the windshield frame. The windshield frame must be lowered forward.
3. Position wiper motors so that the round portion of the motor housing is towards the passenger side.
4. Insert the wiper shaft into windshield frame, on 66-68 frames you may need to file or drill out the hole for the wiper motor shafts to fit through the windshield frame. Attach the nut and washer. Tighten the nut to 30-50 in. lbs.
5. Use the supplied self tapping screws to secure the motor mounting tab to the windshield frame.

Wiring see figure 2 on back of this sheet.

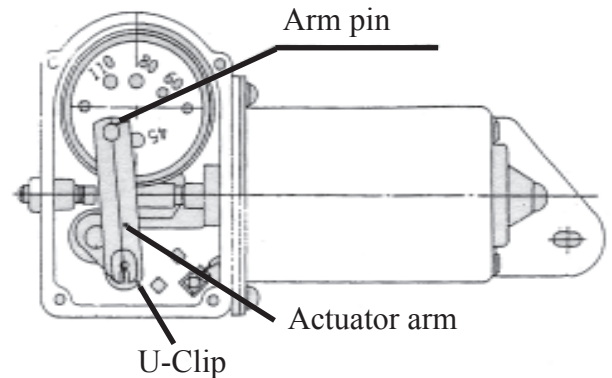
Note 14-16 gauge wire is recommended. A 5 amp fuse needs to be placed between the battery and the wiper switch.

Our wiper switch is equipped with a push button for the windshield washers. For the 66-68 you must connect the old washer pump button wire to the washer pump wire on the new switch. If you have a 69-77 Bronco you must connect the green wire from the old wiper switch to the washer pump wire on the new switch.

Getting the wiring through the frame. Patience grasshopper. Fishing the wires through the windshield frame is a pain to say the least but it can be done. You might be able to use the old wiring or vacuum tube to help pull the new wiring through.

For switch operation see switch manual.

View from back of motor



This pic shows orientation of motor on windshield frame.

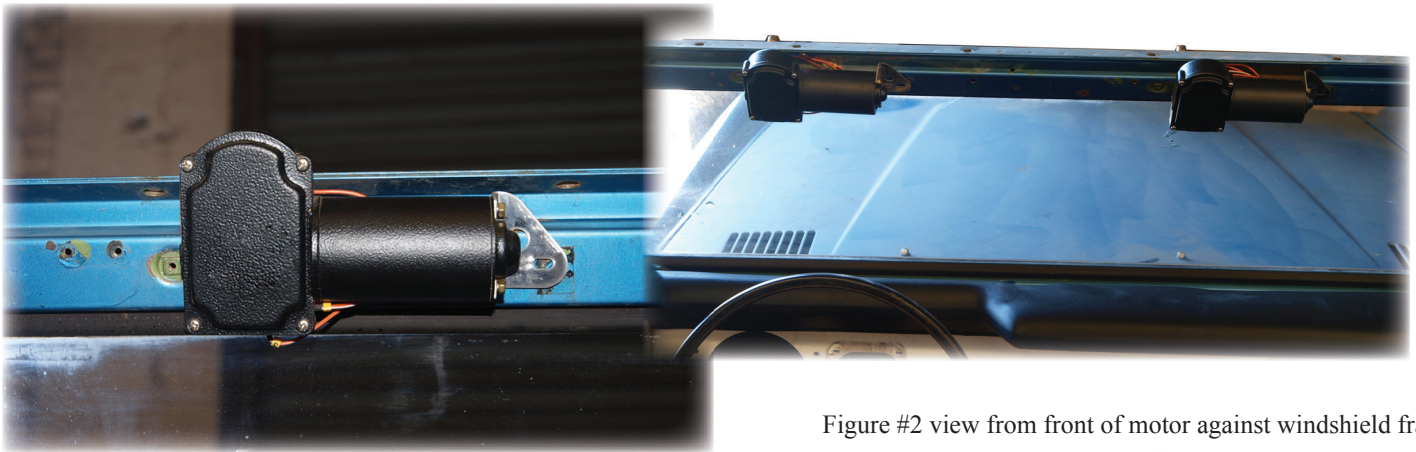
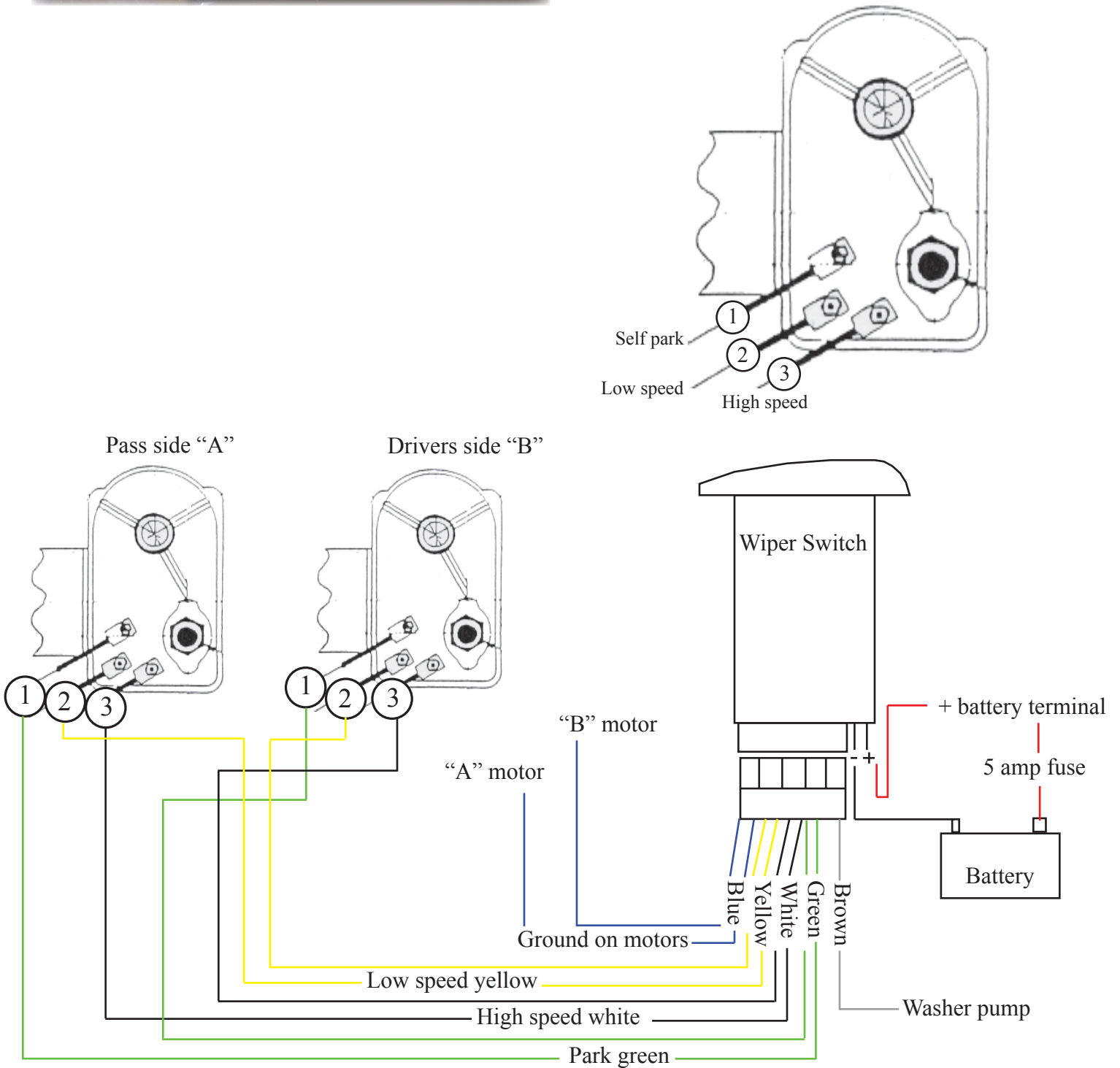


Figure #2 view from front of motor against windshield frame



Users manual for Wiper Control (for two wipers)

Contents

1	General
1.0	Intelligent Wiper Switch functions
1.1	General description
1.2	Power supply
1.3	Technical specifications
2	Installation
2.0	Dimensions touch pad
2.1	Location and installation of the touch pad
3	Electric connections
3.0	General lay out
3.1	Wiring diagram
4	Operation
4.0	Functions of the push buttons
4.1	ON/OFF switching
4.2	Signal mode
5	Wipe/wash
5.0	Wipe / wash program
5.1	Change settings
6	Failure
6.0	Continuous flashing signal
7	Declaration of conformity

1.1 General description

This wiper control offers:

- easy to install and to use
- two continuous speeds
- activates/deactivates each wiper one by one
- synchronisation in each selected mode
- three intermittent speeds
- perfect self parking due to dynamic brake
- wipe/wash program
- dimmer input

Visual indications for:

- ON
- continuous and intermittent modes

1.2 Power supply

This wiper control is available to operate under a power supply of 12 or 24V DC. Check the power supply of the unit supplied, **before** connecting it to the ships electric system.

1.3 Technical specifications

Power supply	: 10 to 30V DC
Internal fuse	: 4 amp PTC for each motor
Stand-by current	: less than 20mA
Motor output current	: single or double speed – 4 amp max.
Working temperature	: -10 to +50° C
Storage temperature	: -20 to +70° C
Inputs	: 2 parking signals, open in park pos.
Outputs	: 2 slow speed 2 high speed 1 wash pump/solenoid, positive pole

1 General

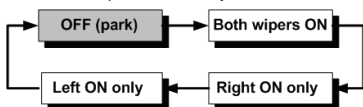
1.0 Intelligent Wiper Switch Functions

Brief explanation of buttons & LED's:
(Please see section 4 for complete operating instructions)



Pos. Function

1 Main ON/OFF switch
Turns main power to the system on and off

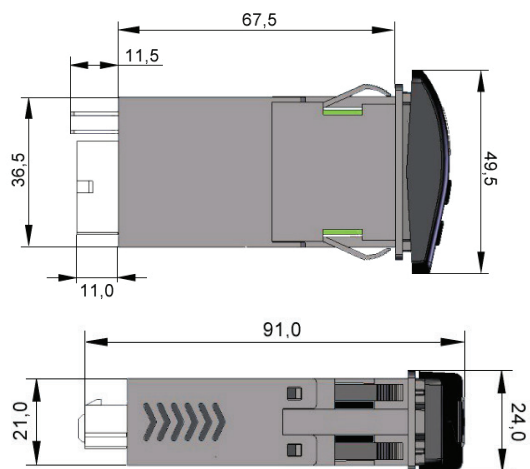


2 Increase speed / decrease time between strokes
Decreases the frequency of wiping in the intermittent mode

3 Decrease speed / increase time between strokes
Increases the frequency of wiping in the intermittent mode

2 Installation

2.0 Dimensions



2.1 Location and installation of touch pad

The touch pad is to be fitted at a location that is within reach of the helmsman, allowing ease of operation. Make sure that sufficient room is available for the cables and the connectors. The required mounting hole for the touch pad is 36,5 x 21 mm. There should be at least 100 mm space available under the front of the touch pad for the connection cable and plug. **INSERT CONNECTOR (linked to the wiper motor) BEFORE CONNECTING THE POWER SUPPLY.**