

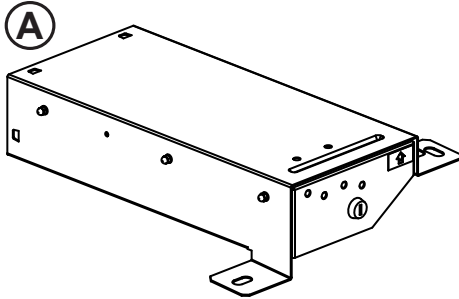


JEEP WRANGLER

Part# 293 - Security Drawer - Passenger Side Front Seat

Please read and fill out the enclosed warranty registration card to activate your warranty.

CONTENTS: Security Drawer (1)



Zip Ties (2)



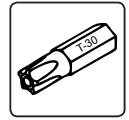
TOOLS CHECKLIST:



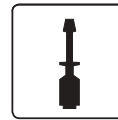
pliers



torque wrench



T-30 torx bit or driver



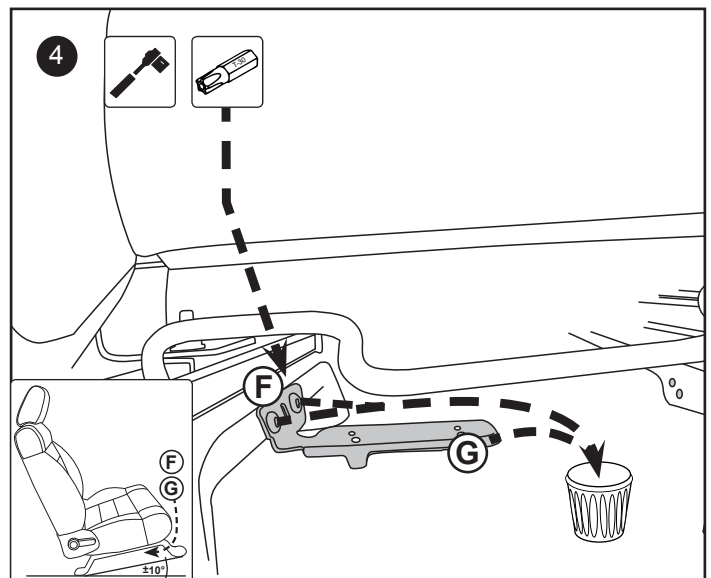
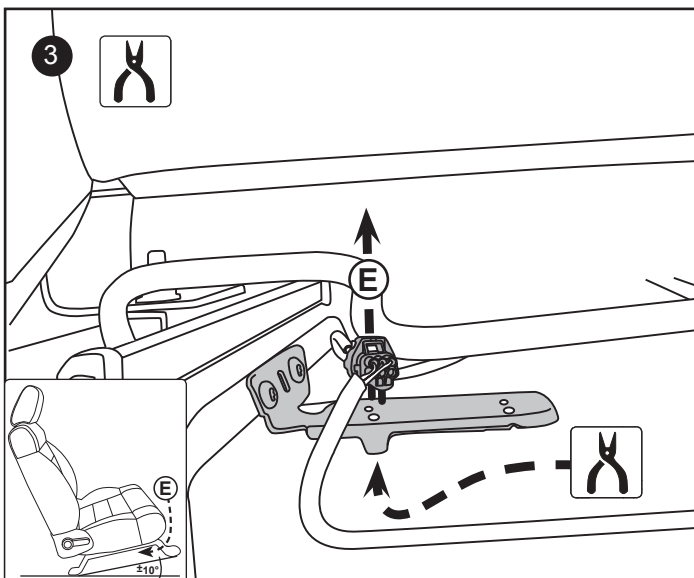
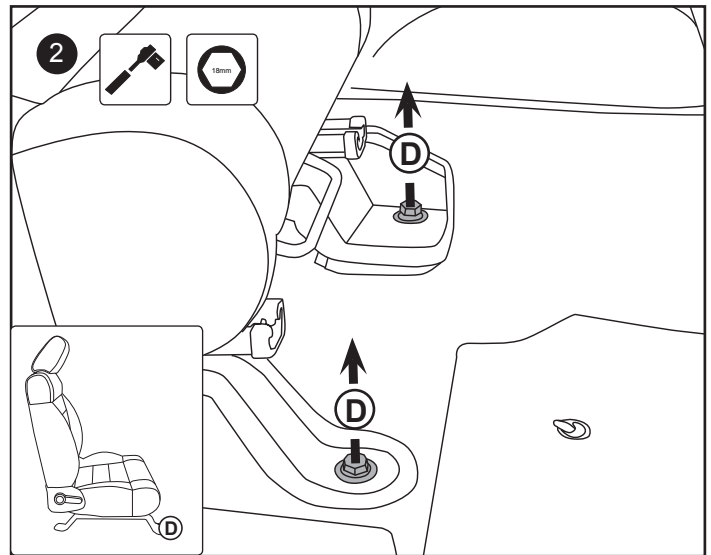
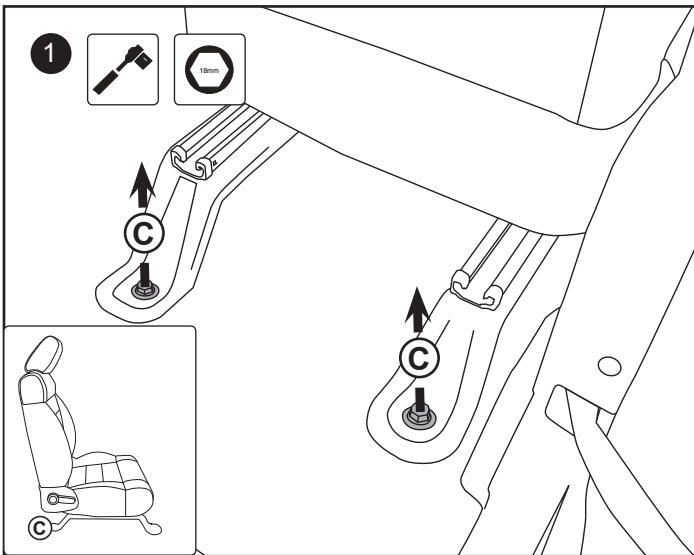
flat head screwdriver

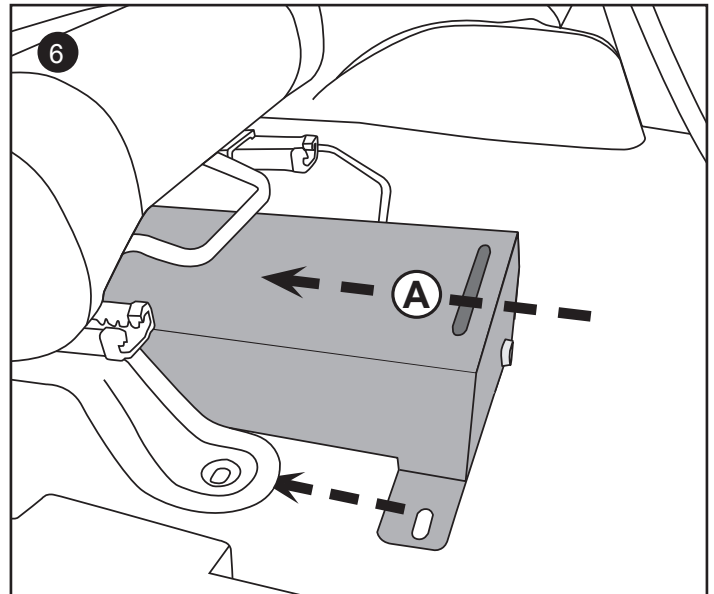
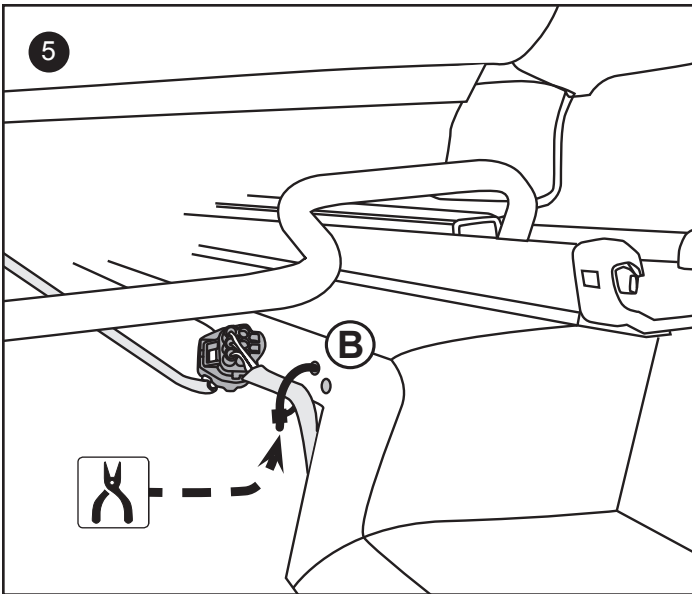






ratchet



18mm socket



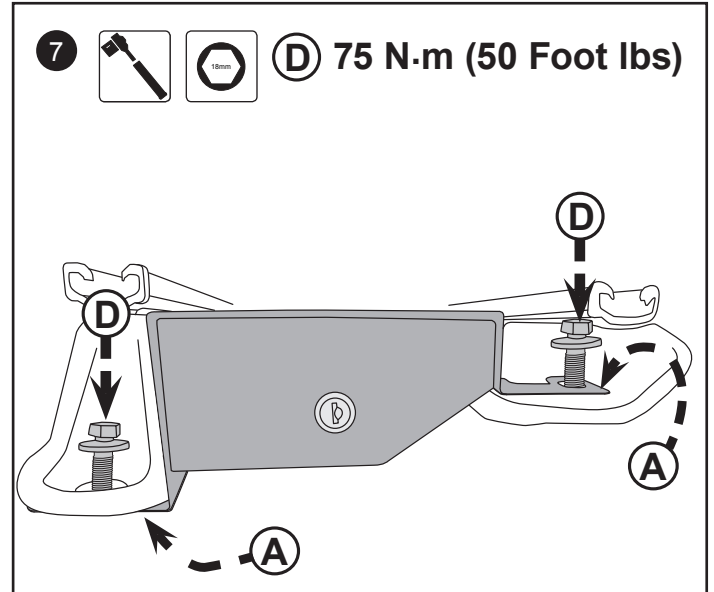


7 **D**   **75 N·m (50 Foot lbs)**
8 **C**  

CAUTION
 DO NOT OVERTORQUE
 DO NOT USE POWER TOOLS
 TORQUE WRENCH ONLY

PRECAUCIÓN
 NO APRIETE DE MÁS
 NO USE HERRAMIENTAS ELÉCTRICAS
 TORQUE LLAVE SOLAMENTE

ATTENTION
 NE PAS TROP SERRER
 NE PAS UTILISER OUTILS ÉLECTRIQUES
 CLE DE COUPLE SEUL



OPTIONAL SECURITY STEP

WARNING!
 Make sure that there is nothing under the vehicle that will be damaged by the drill bit when drilling. The exhaust is located in that area, be cautious not to touch it when hot.

For additional security remove the drawer from the enclosure. Mark a spot in the vehicle floor under the hole in the bottom middle rear of the drawer enclosure and drill a 3/8" hole in the vehicle floor.

Fasten using the included bolt, washer and nut. It is recommended to use silicone sealant on any drilled holes to prevent rusting.

